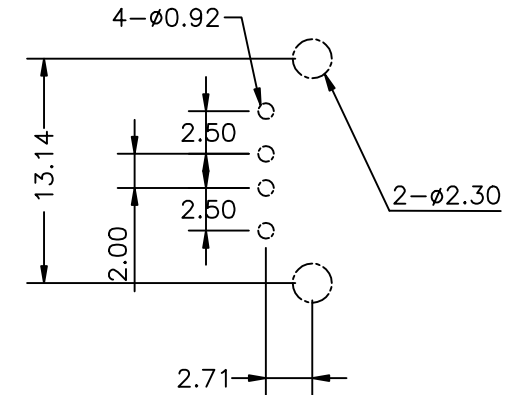
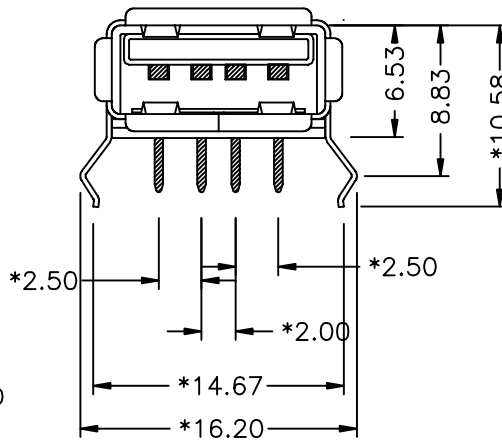
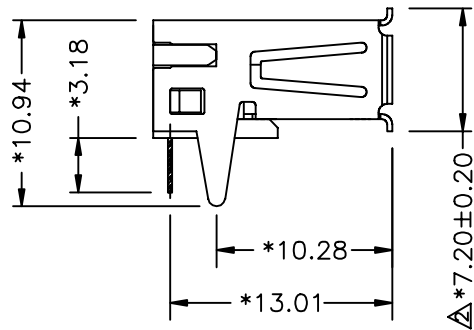
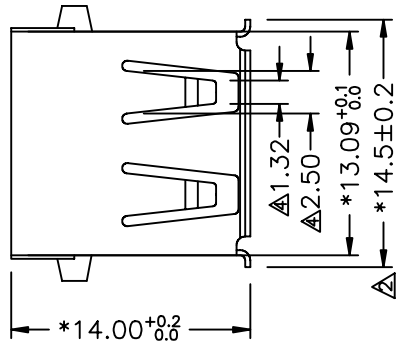


A1RFRD10

REVISION RECORD				
REV	ECO	DESCRIPTION	DRFT	CHKD
△		ADD P/N	HAOIN 7/11/05	
△		MODIFY DIM	ANKUE 12/29/05	
△		ADD P/N	Lain 12/31/05	
△		MODIFY DRAWING	SKYCHEN 08/29/05	



USB-PCB LAYOUT

NOTES:

- MATERIAL:  
 TERMINAL-C5191 PHOSPHOR BRONZE HARD. (t=0.25mm)  
 SHIELD-COPPER ALLOY(t=0.30mm)  
 △ HOUSING-PBT+GF30% OR NYLON+GF25% UL94V-0.  
 △ COLOR-WHITE & BLACK & BLUE.
- PLATING:  
 CONTACT-AREA-SELECTIVE PLATING. ON THE MATING END.  
 TAILS-PLATED TIN OVER NICKEL.  
 SHIELD-PLATED TIN OVER NICKEL  
 OR PLATED NICKEL OVER Cu.
- TOLERANCE: ±0.3mm.±3\*.
- GAP. 0.25mm (Max.)
- ELECTRICAL:  
 VOLTAGE RATING: 30 VAC RMS.  
 CURRENT RATING: 1.0 AMP  
 CONTACT RESISTANCE: 30 MILLIOHMS MAX  
 INSULATION RESISTANCE: 1000 MEGOHMS MIN @500 VDC  
 DIELECTRIC STRENGTH: 750 VAC RMS 60 HZ, 1 MIN  
 OPERATING LIFE: 1500 CYCLES MIN  
 MATING FORCE: 3.5 KGS MAX  
 UNMATING FORE: 1 KGS MIN  
 STORAGE: -40°C TO +85°C  
 △ OPERATION: -40°C TO +85°C  
 CAPACITANCE: 2 PF MAX 1KHZ  
 △ WAVE SOLDERING TEMPERATURE: 230°C TO 250°C 3-5 SECONDS.

6.ROHS PART NUMBER: E8144-AXXX2X-L

- 0-C2680H
- 1-C5191H
- 1-NICKEL
- 2-TIN
- 0-PBT+30%G.F (BLACK)
- 3-PBT+15%G.F (WHITE)
- △ A-PBT+30%G.F (BLUE)
- △ 9-NYLON+25%G.F (WHITE)
- 1-Au3u" 2-Au6u"
- 3-Au15u" 4-Au30u"
- 5-Au50u" 7-Pd30u"

DETACHED LISTS	← MM (INCH) →		DFTO Jerry	DATE 5/10/99
	TOLERANCES EXCEPT AS NOTED		CHKDANKUE	DATE 2006/9/5
			MFO	DATE
	MM	±	APPVL-LUSHENG	DATE 2006/9/5
	.0 ± 0.2	±		
	.00 ± 0.15	±		
.000 ± 0.075	±			
ANGLES ± 0.5		QT*Y :		
THIRD ANGLE PROJECTION		FINISH :		
		SCALE : 3:1		

		RoHS Compliant	
FULL RISE ELECTRONIC CO., LTD			
TITLE USB SERIES A, 4-POSITION DIP TYPE			
DRAWING NO. GE813A01-LC		SIZE A3	REV 4
/PART NO. SEE NOTE			
DO NOT SCALE DRAWING		SHEET 1 OF 1	

8

7

6

5

4

3

2

1

H  
G  
F  
E  
D  
C  
B  
A